



Master Meter’s Dialog® 3G Interpreter Register design is based on our proven 3G AMR technology. The Interpreter Register can be used to retrofit an existing register on most any brand of mechanical water meter that utilizes a bayonet-style register housing. This can be completed in minutes — without service interruption to the customer.

The Interpreter activates automatically following installation and lends an intelligent voice by giving powerful fixed network (AMI) like benefits without the additional infrastructure or long-term ownership costs. Interpreter makes use of the accurate life left in your current installed meter assets.

Features & Benefits:

- **Reliability** — 100% digital electronics. No gears. No moving parts. Solid-state sensor detects magnetic signature and synthetically replicates original meter manufacturer’s register.
- **Flexibility** — Interpreter is able to connect meters to most touch-type walk-by systems and AMR drive-by systems.
- **Wireless Connectivity** — Activates with plug-n-play convenience to keep deployment moving quickly while minimizing total ownership costs and eliminating the need for wires and connections.
- **24 Hour Monitoring** — Vigilant 3G Data Logging and Revenue Impact Alerts™ watch 24/7 for Leak, Tamper, Water Theft, and Meter Malfunction.
- **Universal Compatability** — Retrofits most any competitors’ mechanical meter with common bayonet-style register housing.



Advanced Features:

Cost-Effective — The flexible programmable design of Interpreter affordably integrates all of your utility’s existing meters while eliminating the need to replace current metering infrastructure.

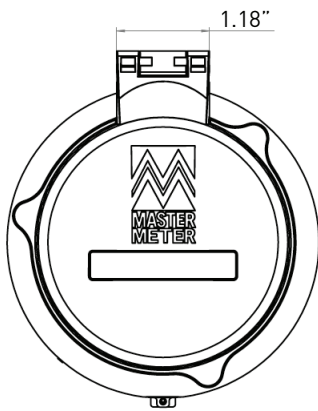
Environmentally Sound — Interpreter is an IP-68 rated, permanently sealed register with a tempered scratch resistant glass lens, stainless steel housing, and wrap around gasket to prevent intrusion of dirt or moisture.

3G Data Logging — Data logging must be at minimum 4,000 points of user-defined, high-resolution intervals down to the minute.

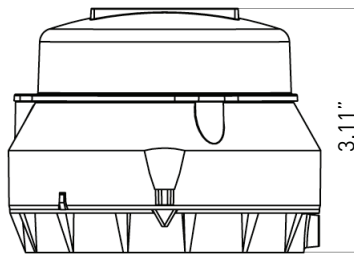
Intelligent Display — Flow direction indication, selected registration, instantaneous rate of flow, leak detection, and display resolution.

Personalized Programmability — Interpreter’s programmable design lets you personalize registration and resolution. Programmable registration includes USG, CF, or M3, while resolution of the flow multiplier provides a custom-tailored enhanced display (.01, 0.1, 1, 10, 100).

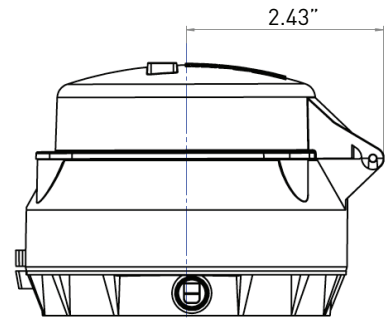
Dimensions



Top View

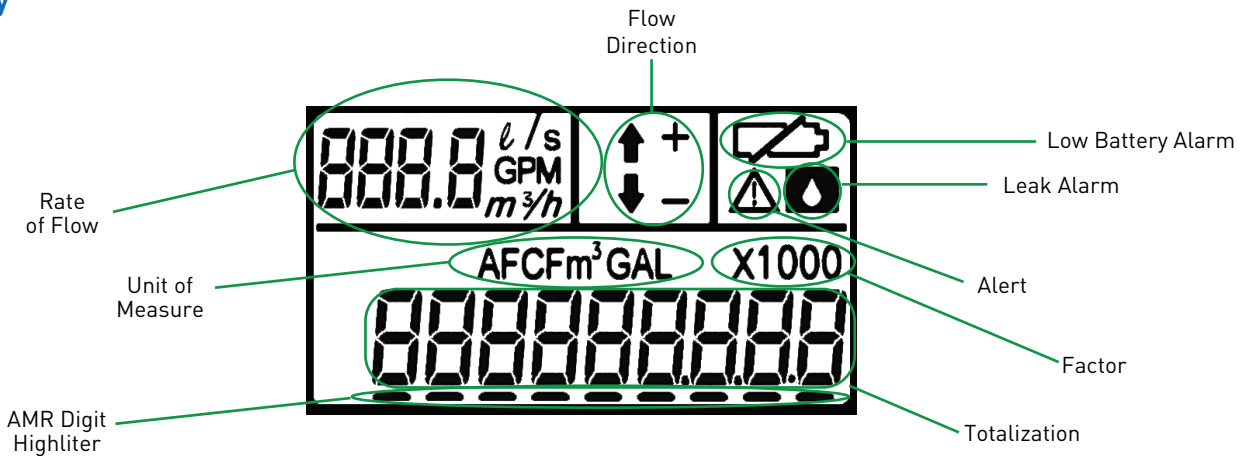


Front View



Side View

Display



v0710.20F