



Master Meter's holistically designed 3G AMR/AMI system does not limit a utility to only Master Meter's measurement solutions. This flexible two-way 3G transceiver provides comprehensive data communication across most every installed meter asset in a utility's system.

#### Technical Specifications:

Frequency — XTR utilizes Direct Sequence (DS) Spread Spectrum technology and operates within the 902- 928 MHZ unlicensed ISM Band.

Environmental Temperature Rating — -40° F to 158° F (-40° C to 70° C).

Power Supply — Internally powered by two 3.6 volt AA Thionyl Chloride Lithium batteries with advanced power life management design. Batteries are rated and covered by 20-year warranty; first 10-years at full-replacement value, the last 10-years at a prorated schedule.

#### Features & Benefits:

- Fast efficient installation-friendly design. Installs in minutes.
- Robust IP68+ engineered housing withstands all challenging environmental climates.
- Investment protection through industry-leading product warranty.
- Ultra low-profile endpoint is designed specifically for wall configuration with minimal appearance in mind.
- Convenient 2 or 3 wire design ensures quick installation.
- Simple AMR upgrade for wand-style reading systems.
- Available in two models: Encoder and Pulse.
- Field programmable for added flexibility.
- Simple AMR upgrade for wand-style reading systems.
- Utilizes 3G technology backbone simultaneously with 3G Mobile AMR.



**Technical Specifications:**

**Main Case** — Constructed of glass fiber reinforced ABS polymers to resist impact, and withstand years of physical and environmental stress. Our IP68+ environmental rating means internal components are securely protected against harsh weather conditions and moisture intrusion. Wall configuration designs are engineered and tested to survive real-world utility conditions.

**Sealed Transmitter** — DIALOG 3G RF Tranceiver housed within a high density ABS enclosure and further sealed with an electrostatic gel that eliminates moisture intrusion.

**Transmission Frequency** — XTR operates under the purview of FCC Part 15.247 regulations for devices operating in the 902 MHz to 928 MHz unlicensed bandwidth. XTR output power conforms to these relevant FCC standards. XTR utilizes proprietary transmission technologies to minimize any potential for RF interference from other unrelated devices.

**Transmission Interval** — Default interval is every 11 seconds.

**Data Granularity (Encoder)**— Encoder model obtains register data every 15 minutes.

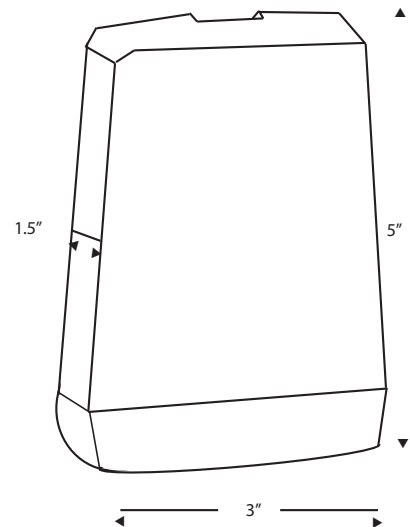
**Data Granularity (Pulse)** — Pulse model updates reading after each pulse is received

**Installation** — XTR for wall mount applications is quickly attached with supplied self-tapping screws.

**Activation** — XTR products feature easy installtion. May also be manually reconfigured with 3G Technician Software. All units MUST be programmed and activated upon installtion.

**FCC Regulatory Certification** — Certified to operate in the United States under FCC Part 15.

**Standard XTR Configuration**



Scan to download and share



Master Meter, Inc.  
 Phone: 800-765-6518  
 Fax: 817-842-8100  
 Email: [innovate@mastermeter.com](mailto:innovate@mastermeter.com)