



Flexible Axis Meter

Our Flexible Axis Meters can get you out of a tight squeeze.



The next time you're faced with a challenging residential installation, check out the Master Meter flexible axis meter (FAM). FAM flow tubes can be installed horizontally, vertically, or any angle in between. No matter where it ends up, the FAM measuring chamber remains horizontal for accurate -- and quiet -- operation. It can also be positioned so it is always facing up for easy reading.

To further simplify installation and reduce costs, FAM flow tubes can use standard meter couplings or solder-joint connections. And all Master Meter flexible axis meters are AMR compatible.

FEATURES & BENEFITS

- Install At Any Angle
- Choice of Connectors
- Eliminates Expensive Copper Setters
- Meets All AWWA Standards; NSF Certified
- Accurate (and Quiet) By Design
- Electronic Reading Compatible
- Compatible with State-of-the Art Reading Systems.



TECHNICAL SPECIFICATIONS

Install At Any Angle

Installation of Flow Tube possible in any position while allowing horizontal positioning of measuring element for maximum accuracy and meter life. To further simplify installation, the Flexible Axis Meter Flow Tube can be installed either with threaded or solder-joint connections. For Submetering application this eliminates the need for meter couplings, further reducing installation cost.

FAM also eliminates the need to install jumper tubes in submetering applications during construction or major renovation. The FAM Flow Tube supplied with a plug that allows water flow through the line for flushing and system pressure testing. When it is time for meter installation, just unscrew the plug and replace with the measuring element.

FAM Flow Tube poured from EnviroBrass IITM to exceed the AWWA copper-content specification, plus the low lead requirements of NSF-61 and California Proposition 65.

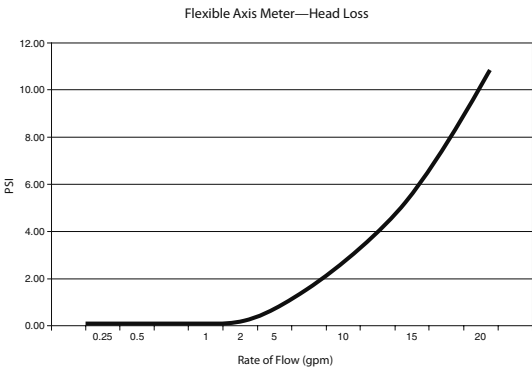
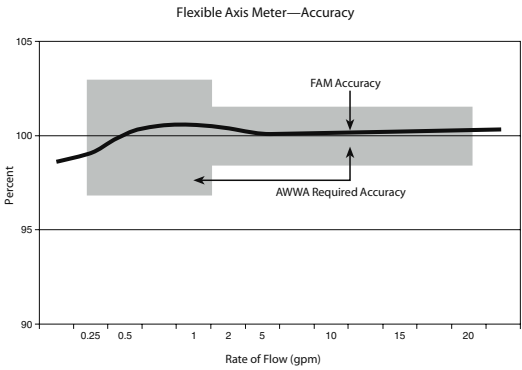
Electronic Reading

Compatible Electrical output register or DIALOG register interfaces to all of Master Meter's reading systems DIALOG on site reading, RF-LINX, T-Linx, DIALOG 3G and most competitive FRF AMR Systems. Optional Electrical Output register or DIALOG register supplied in the Flexible Axis Meter for users who wish to read manually at present and convert to electronic reading in the future.

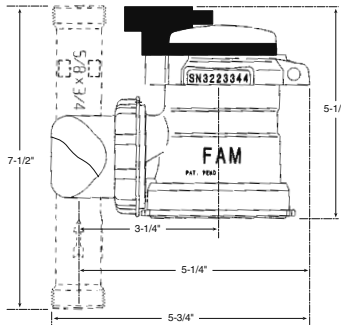
Flexible Axis Meter

Characteristic	TECHNICAL DATA - US UNITS			TECHNICAL DATA - INTERNATIONAL UNITS		
	Unit of measurement	FAM 5/8 x 3/4	AWWA C-708 5/8 x 3/4	Unit of measurement	FAM 15 mm	AWWA C-708 15 mm x 20 mm
Flow Rating	U.S. gpm	20	20	m ³ /h	4.5	4.5
Continuous Flow	U.S. gpm	15	10	m ³ /h	3.4	2.3
Normal Flow Range (100% @ ± 1.5%)	U.S. gpm	1 - 20	1 - 20	m ³ /h	.23 - 4.5	.23 - 4.5
Low Flow (100% @ ± 3%)	U.S. gpm	.25	.25	m ³ /h	0.06	0.06
Maximum Pressure Loss at Maximum Flow	psi	10.9	15	kPa	75.2	103.4
Maximum Working Pressure	psi	150	150	kPa	1034	1034
Maximum Working Temperature	°F	120	105	°C	49	41
Length (A below)	in	7.5	7.5	mm	191	191
Weight	lb	2.2	n.a.	kg	1.0	n.a.
Packed to carton	units	6	n.a.	units	6	n.a.
Carton weight	lb	13	n.a.	kg	6.0	n.a.

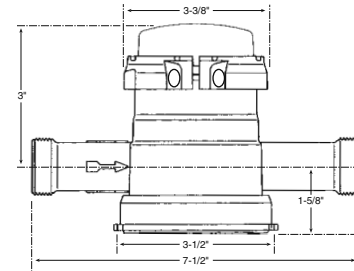
Accuracy & Head Loss Curves



Vertical Installation



Horizontal Installation



Distributed by:

©2005 Master Meter, Inc. All rights reserved. DIALOG and Master Meter are registered trademarks of Master Meter, Inc. Master Meter reserves the right to make modifications to the products described herein at any time and without notice. U.S. Patent No. 6,819,292, Patent No. 6,954,178. Others pending. EnviroBrass® is a registered trademark of ASARCO.

MMDS_MJFAM_CEN Rev14/09/06



Master Meter Canada • 100 Lansdowne Street, Suite 207 • St-Bruno, Québec J3V 0B3
Toll free: 1 866 761-1535 • Phone: (450) 461-1535 • Fax: (450) 461-3720

www.mastermeter.ca
infocanada@mastermeter.com