

# 3G PWR™ AMR MODULE

## iCON® RESIDENTIAL ELECTRIC METER FROM SENSUS®



3G Electricity AMR Module

iCON Residential Electric Meter  
integrated with 3G AMR

### A SMART AMR SOLUTION FOR SOLID STATE ELECTRIC METERS

3G PWR™ from Master Meter enables solid state electric meters with our award-winning 3G AMR / AMI technology solution. Our PWR module boasts an open design allowing incorporation into electric meters designed for 3rd party AMR electronics integration. Currently our PWR module is available with the Sensus iCON Residential Electric Meter. Additional modules available for other manufacturers, including polyphase solutions, are currently under development and will be available in 2009.

Key benefits of the 3G PWR module include non-volatile memory immune to power loss, 4,000 read data logging, modular AMR architecture, 902 - 928 MHz unlicensed spread spectrum modulation, reliable RF communications (data redundancy, verification, and recovery), and 3G Mobile™ AMR / FixedLinx™ AMI interoperability.

### AWARD-WINNING TECHNOLOGY LEADERSHIP

With an unsurpassed accuracy exceeding ANSI C12.20 (Class 0.2), the iCon Meter by Sensus Metering Systems is built with a backbone of reliability and precision. The iCon Meter with integral 3G from Master Meter creates a best-in-class residential metering solution with benchmark metering precision and flexible AMR communication. Technologies at work in both the iCon and separately with 3G are recognized by Frost & Sullivan for Product Quality leadership and are recipients of the Frost and Sullivan Market Engineering Award.

### FEATURES & BENEFITS:

- \* Accuracy exceeds ANSI C12.20 (Class 0.2)
- \* kWh energy measurement, voltage monitoring
- \* Disassembles and upgrades easily without tools
- \* Inversion proof
- \* Two-board design
- \* Open architecture
- \* ANSI compliance in performance and design

### ADVANCED SENTEC\* SENSOR TECHNOLOGY

- \* Designed for billing accuracy
- \* Reliable, integrated component construction
- \* Complete DC immunity

\* Includes technology licensed from Sentec, Ltd.



Reading the Future™

## iCON RESIDENTIAL METER SPECIFICATIONS:

\* **POWER REQUIREMENTS:** Voltage Rating: See Chart Below.  
Frequency: 60 Hz.

\* **ACCURACY:** Exceeds Accuracy Class 0.2.

\* **BURDEN:** Power Supply < 0.8 watts / 7.9VA at 240VAC. Voltage circuit per phase: 0.03 watts at 240VAC. Current circuit per phase 0.1 milliohms typical at 25°C

\* **LCD DISPLAY:** Six-digit liquid crystal display. Data digit height: 0.4. Simulated mechanical disk emulation / 1 watt-hour increments. Power flow indicator. kWh display with segment check option.

\* **OPERATING ENVIRONMENT:** Temperature: -40° to +85°C. Humidity: 0% to 95% non-condensing. Transient / Surge Suppression: EN61000-4-4: 1995 & EN61000-4-5: 1995, exceed voltage and current surge requirements per Category 4.

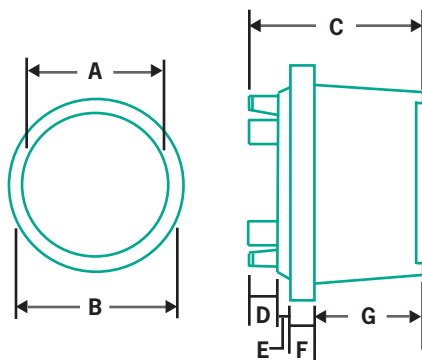
\* **COMPLIES WITH INDUSTRY STANDARDS:** ANSI C12.1 - 2001. ANSI C12.10 - 1997. ANSI C37.90.1 - 1989. FCC Part 15.

\* **CHARACTERISTICS DATA:** Starting Watts: 5. Temperature Rise Specifications: Meets ANSI C12.1 Section 4.7.2.9.

\* **TAMPER DETECTION OPTIONS:** If the iCON meter is reversed in the socket, energy is added to the forward direction. The iCON meter can place a tamper message in the display that can alternate with the kWh reading.

## PRODUCT AVAILABILITY:

SERVICE	CLASS	FORM	VOLTAGE RATING (VAC)
3-WIRE	200,320	2S	240
2-WIRE	20	3S	120,240
3-WIRE	20	4S	120,240
3-WIRE	200	12S	120
3-WIRE	200	25S	120



### DIMENSIONS

	A	B	C	D	E	F	G
IN	6.42	6.95	5.00	0.91	0.32	0.56	1.42
CM	16.31	17.65	12.70	2.31	0.81	1.42	8.13

### SHIPPING WEIGHT

4 METER CARTONS	8 LBS.	3.6 KG
96 METER PALLET	228 LBS.	103 KG

**Master Meter, Inc.** Reading the Future™  
101 Regency Parkway, Mansfield, TX 76063  
Toll Free: 800-765-6518 • Main Line: 817-842-8000 • FAX: 817-842-8100  
MASTERMETER.COM

©2008 Master Meter, Inc. All rights reserved. DIALOG and Master Meter are registered trademarks of Master Meter, Inc. Master Meter reserves the right to make modifications to the products described herein at any time and without notice. iCON and Sensus are registered trademarks of Sensus Metering Systems and are not affiliated with Master Meter, nor is Master Meter a distributor of Sensus Metering products. U.S. Patent No. 6,819,292; 6,954,178; and others pending.

iCON1208

