

Available in sizes 1.5", 2", 3", 4", 6", 8", 10", and 12"

UL Certification is available on 1.5" through 8" only.
FM Approval is available on all sizes.

Octave brings the latest in ultrasonic metering technology to Commercial/Industrial (C&I) water meters and puts precise measurement where the real flows exist. An excellent alternative to mechanical compound, single-jet, floating ball, fire-service type and turbine meters, Octave excels at maintaining sustained accuracy for the life of the meter while providing smart AMR capabilities.

Technical Specifications:

Working Pressure - 175 PSI

Liquid Temperature - 33° - 122 °F

Metrological Characteristics - Meets ANSI/AWWA Standards C715-18, C750-19, ISO 4064 rev. 2014

Configuration - Compact-Display built into unit

Power Source - 2 x D Size Lithium Thionyl Chloride batteries - 10 year warranted life time

Environmental Protection - NEMA 6P+ (IP68+), Ambient operation temp. -13 °F / +131 °F for the display

Display Units - Multi line 12 digit LCD (Programmable USG, Cubic Feet, Cubic Meters, Acre Feet for volume and GPM, Lt/s, or M³/h for rate of flow)

Output - Programmable Encoder, Pulse, 4-20, or Modbus; Optional dual output available in encoder + pulse

Features & Benefits:

- Grade 316 Stainless Steel (2"-8") or Epoxy Coated Ductile Iron (10"-12") body design provides full compliance with ANSI/NSF 372 (AB1953 or NSF61G).
- No moving parts. Minimal flow intrusion. Enduring accuracy.
- Easy to install Floating Flanges on 2"-8" and Integrated Flanges on 10"-12".
- No required strainer.
- Wide beam ultrasonic measurement sensors for high accuracy and reliable operation.
- Industry standard communication protocol for integration with most third-party AMR/AMI systems.
- Active leak, burst, reverse flow, empty pipe, measurement failure, and low battery. LCD also displays rate of flow and water temperature.
- Ruggedized NEMA 6P/IP-68+ construction; fully submersible design.
- Designed to meet standards for both North American and International C&I water meters.
- Optional flow measurements; Forward Only, Net Volume or Alternating Display (Forward and Reverse Consumption displayed separately).



Performance Data & Dimensions

Octave Operating Characteristics and Dimensions	1.5"x13" (40 mm)	2"x10" (50 mm)	2"x15.25" (50 mm)	2"x17" (50 mm)
Safe Maximum Operating Capacity	250 GPM (57 m ³ /h)	250 GPM (57 m ³ /h)	250 GPM (57 m ³ /h)	250 GPM (57 m ³ /h)
Normal Operating Range (98.5% - 101.5% Accuracy)*	0.50 – 250 GPM (0.11 – 57 m ³ /h)	0.50 – 250 GPM (0.11 – 57 m ³ /h)	0.50 – 250 GPM (0.11 – 57 m ³ /h)	0.50 – 250 GPM (0.11 – 57 m ³ /h)
Extended Low Flow (95% - 105% Accuracy)	0.25 GPM (0.06 m ³ /h)	0.25 GPM (0.06 m ³ /h)	0.25 GPM (0.06 m ³ /h)	0.25 GPM (0.06 m ³ /h)
Length	13" (330 mm)	10" (250 mm)	15.25" (390 mm)	17" (432 mm)
Width	5-3/4" (146 mm)	5-3/4" (146 mm)	5-3/4" (146 mm)	5-3/4" (146 mm)
Height	6-3/4" (172 mm)	6-3/4" (172 mm)	6-3/4" (172 mm)	6-3/4" (172 mm)
Height from Center Pipe	2-1/8" (54 mm)	2-1/8" (54 mm)	2-1/8" (54 mm)	2-1/8" (54 mm)
Weight	20 lbs (9 kg)	15 lbs (7 kg)	22 lbs (10 kg)	24 lbs (11 kg)

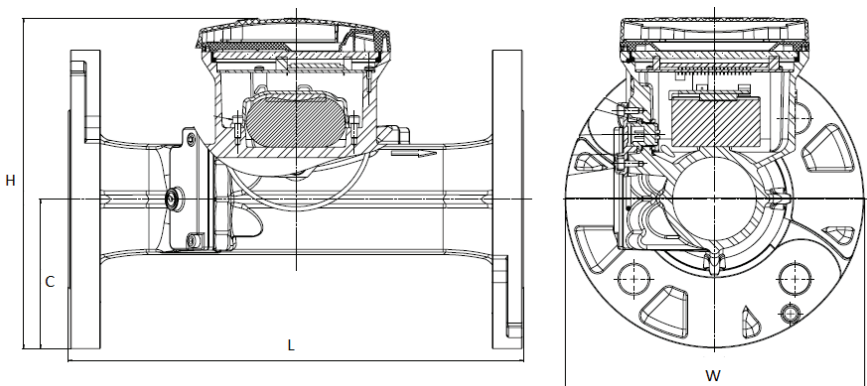
* In the water temperature of 45° to 85° F (7° to 30° C), meter consumption is accurately measured at:

- +/- 1.5% in the Normal Operating Range
- +/- 5% in the Extended Low Flow

Octave Operating Characteristics and Dimensions	3" (80 mm)	4" (100 mm)	6" (150 mm)	8" (200 mm)	10" (250 mm)	12" (300 mm)
Safe Maximum Operating Capacity	500 GPM (114 m ³ /h)	1,000 GPM (227 m ³ /h)	1,600 GPM (363 m ³ /h)	2,800 GPM (636 m ³ /h)	5,500 GPM (1,250 m ³ /h)	5,500 GPM (1,250 m ³ /h)
Normal Operating Range (98.5% - 101.5% Accuracy)*	1 – 500 GPM (0.23 – 114 m ³ /h)	1.5 – 1,000 GPM (0.34 – 227 m ³ /h)	3 – 1,600 GPM (0.68 – 363 m ³ /h)	5 – 2,800 GPM (1.5 – 636 m ³ /h)	14 – 5,500 GPM (3.2 – 1,250 m ³ /h)	14 – 5,500 GPM (3.2 – 1,250 m ³ /h)
Extended Low Flow (95% - 105% Accuracy)	0.5 GPM (0.11 m ³ /h)	0.75 GPM (0.17 m ³ /h)	2 GPM (0.45 m ³ /h)	4 GPM (0.9 m ³ /h)	8 GPM (1.8 m ³ /h)	8 GPM (1.8 m ³ /h)
Length	12" (305 mm)	14" (356 mm)	18" (457 mm)	20" (508 mm)	17-3/4" (451 mm)	19-3/4" (502 mm)
Width	7-1/2" (190 mm)	9" (229 mm)	11" (280 mm)	13-1/2" (343 mm)	16" (406 mm)	19-3/4" (502 mm)
Height	8-1/2" (216 mm)	9-7/8" (250 mm)	10-7/8" (276 mm)	12-7/8" (327 mm)	16-1/2" (419 mm)	19-3/4" (502 mm)
Height from Center Pipe	3-1/2" (90 mm)	4-1/2" (115 mm)	5-1/8" (130 mm)	6-3/8" (162 mm)	8" (203 mm)	9-7/8" (251 mm)
Weight	23 lbs (10.5 kg)	35 lbs (16 kg)	51 lbs (23 kg)	78 lbs (35 kg)	150 lbs (68 kg)	210 lbs (96 kg)

* In the water temperature of 45° to 85° F (7° to 30° C), meter consumption is accurately measured at:

- +/- 1.5% in the Normal Operating Range
- +/- 5% in the Extended Low Flow



NOTE — For Performance charts please see Engineering Document - Octave | Version 10.17.